

NETx KNX IP Interface v2

Data sheet

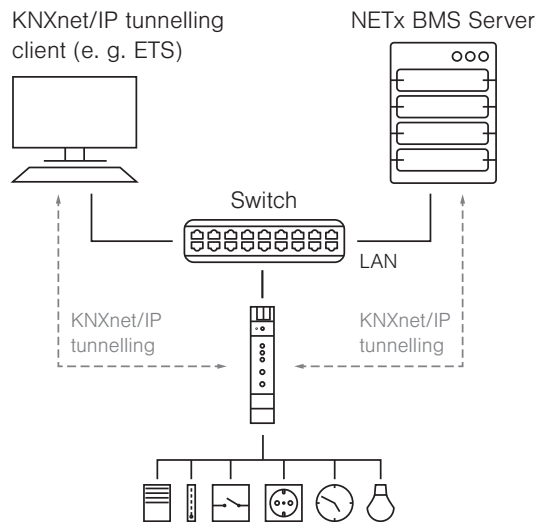
Bus powered interface between IP and KNX

Application area

The KNXnet/IP interface is used to connect a PC (e.g. BMS server, visualization, ETS, ...) to the KNX network. The connection is made through LAN (IP). The IP address can be retrieved from a DHCP server or it can be configured manually (ETS). Power is supplied via the KNX bus.

This device works according to the KNXnet/IP specification using the parts core, device management and tunnelling.

The buttons are used for diagnostic purposes. The LEDs indicate the operating status and communication errors on the bus.



! ATTENTION

- The device may be built into distribution boards (230/400V).
- The device must be mounted and commissioned by an authorized electrician.
- The prevailing safety rules must be heeded.
- The device must not be opened.
- For planning and construction of electric installations, the relevant guidelines, regulations and standards of the respective country are to be considered.

Technical data

Electrical safety

- Protection (EN 60529): IP 20
- Bus safety extra low voltage SELV DC 29 V

CE marking according to

- Low voltage directive 2014 / 35 / EU
- EMC directive 2014 / 30 / EU
- RoHS directive 2011 / 65 / EU
- EN 50491-3: 2009, EN 50491-5-1: 2010
- EN 50491-5-2: 2010, EN 50491-5-3: 2010
- EN 61000-6-2: 2005
- EN 61000-6-3: 2007 + A1: 2011
- EN 50581: 2012

Environmental requirements

- Ambient temp. operating: - 5 ... + 45 °C
- Ambient temp. non-op.: - 25 ... + 70 °C
- Rel. humidity (non-condensing): 5 % ... 93 %

Mechanical data

- Housing: plastic (PC)
- DIN rail mounted device, width: 1 unit (18 mm)
- Weight: approx. 40 g

Controls and indicators

- 2 buttons and 3 LEDs, multicolor
- KNX programming button with LED (RD)

Ethernet

- 10BaseT (10Mbit/s)
- Supported Internet protocols ARP, ICMP, IGMP, UDP/IP, DHCP and Auto IP
- Up to 5 KNXnet/IP tunnelling connections simultaneously

KNX

- Medium TP

Power supply

- KNX bus approx. 15mA

Connectors

- Bus connector for KNX (RD / BK)
- LAN RJ-45 socket

Installation instructions

- The device may be used for permanent interior installations in dry locations, within distribution boards or small casings with DIN rail.